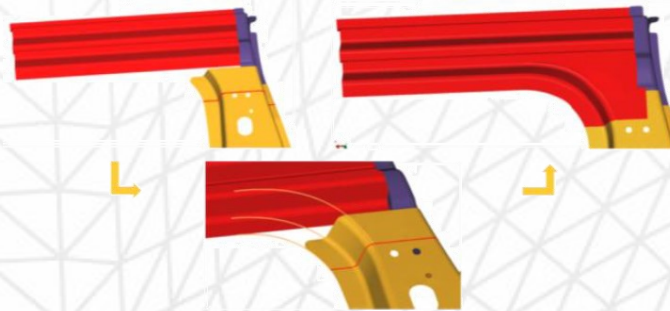
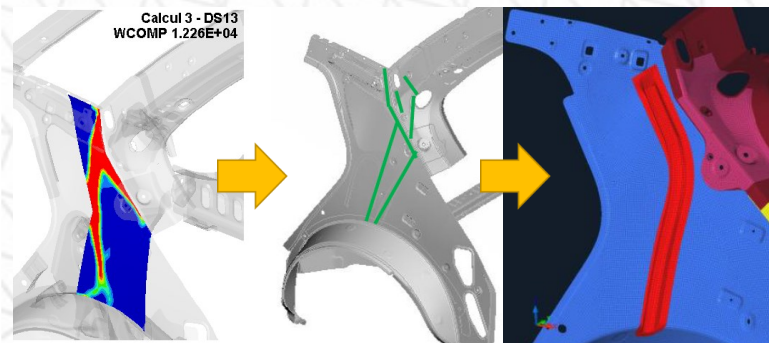
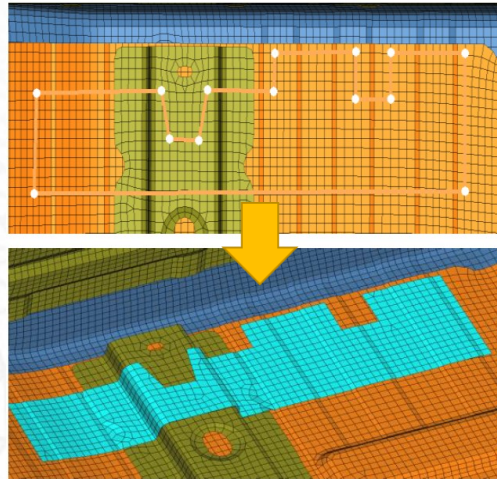
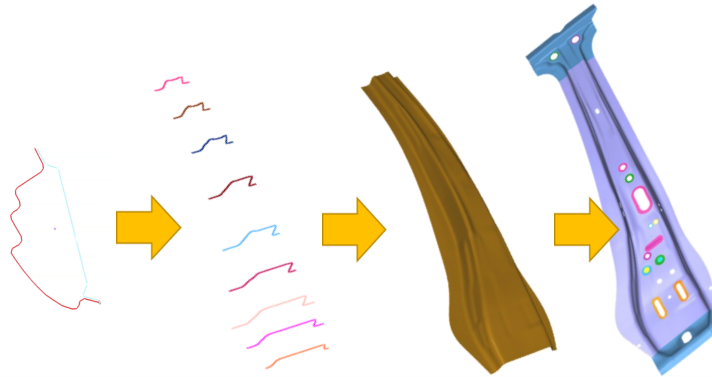
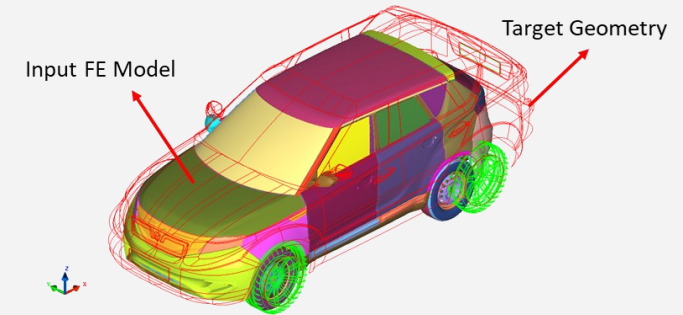


ConceptWorks

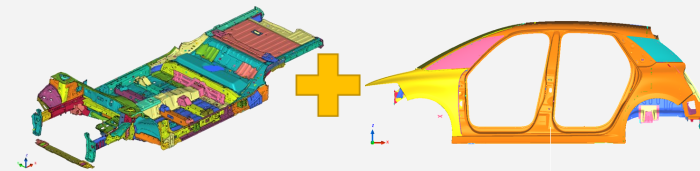
- Early conceptual design and development can be done without CAD data
- The conversion procedure for conventional CAE car models into hybrid types are done easily
- Any part of a BIW model can be build directly at the FE level in a very short time frame
- The perfect next step to topological optimization results
- Highly automated tool to sketch, create and parameterize cross-sections
- Highly automated tool to generate components from multi sections
- Easy sketch and build of new members, interior components, joints, and unique characteristics like holes, stamps, ribs, fillets, beads, etc directly at the FE level
- Very high number of design diversities and possibilities
- Drastic time is saved during the early design phases by avoiding to wait from CAD department the updated components
- Patented technology by Detroit Engineered Products



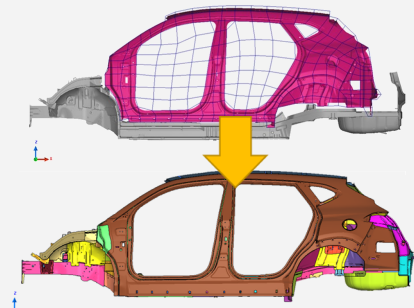
FULL VEHICLE MORPHING & BODY SWAP



- Using Full Vehicle Morphing technology, concept FE model can be created in only one week whereas the conventional method would take around 12 weeks
- Cutting, blending & stitching functions to create early-stage concept FE & CFD models very rapidly
- Early concept designs can be created in the FE level there by eliminating CAD in the loop
- Rapidly develop new vehicle derivative of existing platform
- Under body platform of one model and the Upper body of another model can be merged resulting in a new concept design quickly



=





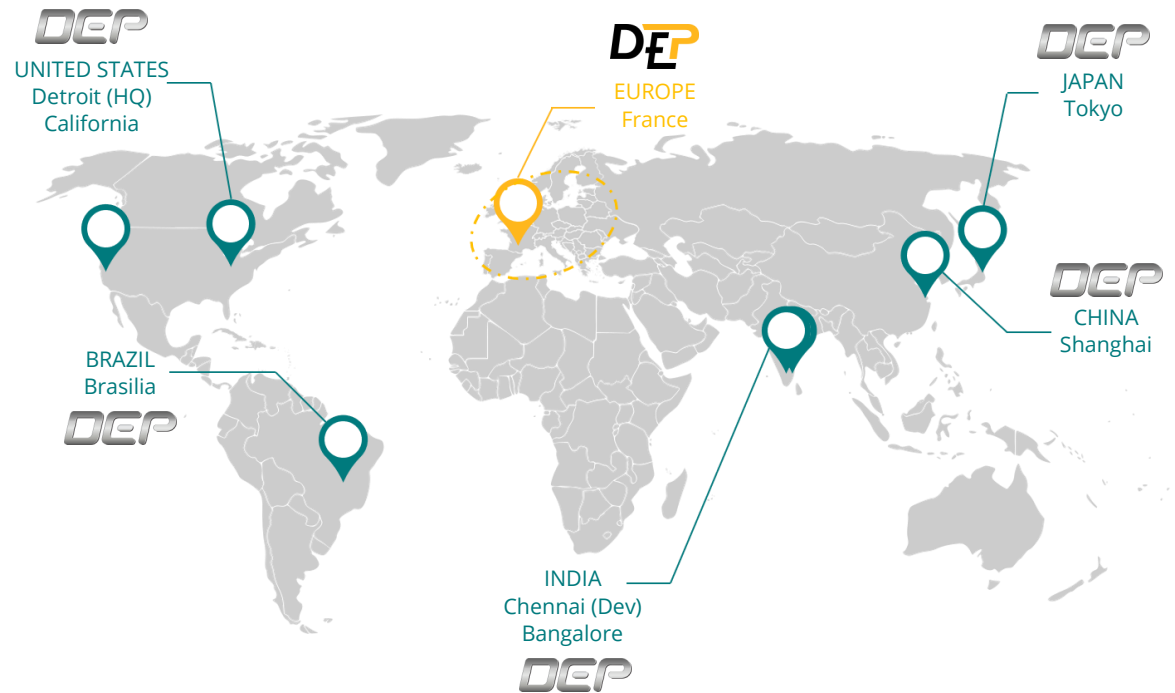
A software designed by CAE engineers for CAE engineers

DEP MeshWorks is a reference for morphing and design directly at the FE level on the market for 20 years.

DEP MeshWorks is an integrated CAE platform that accelerates the product development process. It contains a meshing engine combining performance and user-friendliness for an overall gain in productivity. It is a specialized software for rapid concept modeling, automated morphing at FE and CAD level, parameterization and optimization, involving rapid concept CAE and CAD model generation.

DEP MeshWorks is edited by Detroit Engineered Products.

More information at depeurope.com



Dynas+ Engineering Products is **DEP MeshWorks** Europe Technical Centre.

Dynas+ Group is a technical engineering group specialized in numerical modelling, which provides its customers (automotive, defense, aeronautics, space, consumer goods, etc) digital solutions to support and optimize the studies and development of their products.

Dynas+ Group choose **DEP MeshWorks** for its engineering departement, ensuring drastic time savings in all modelling workflows.

